



# Howotruck (Phils) Corporation

**Main Office:**  
Brgy. Bogtong, Diversion Road, Legazpi City

**Manila Office:**  
28-D Himlayan Rd. Brgy Pasong Tamo, Quezon City  
Contact No. 09177105690 / (02) 7344-6627  
Email: [howophil@gmail.com](mailto:howophil@gmail.com)

## HOWO BOOM TRUCK 4x2, 180 HP (5TONS), EURO IV

Model.....**ZZ1167G471CD1**  
Type of vehicle.....**BOOM TRUCK**  
Wheel Traction/Drive Style.....**4x2**  
Engine Power.....**180 Hp Euro IV**  
Total Mass.....17,800kg  
Curb Mass/Self Weight.....7,800kg  
**LHD (Left Hand Drive)**

### Engine

Model.....**SINOTRUK MAN ENGINE MC05.18-40**  
Displacement.....4.58L  
Type: In-line, Four-cylinder, Turbocharged intercooler, high pressure common rail  
Bore/Stroke.....108x125mm  
Net Power.....132kW/2400rpm  
Torque.....700N.m/1300~1700rpm

### Chassis & Dimensions

#### Frame details

High-strength 8+5/300mm and reinforced sub-frame  
Overall Dimension.....**8600x2500x3700mm**  
(LengthxWidthxHeight)  
Wheelbase.....4700mm  
Front Vehicle Overhang.....1240mm  
Rear Vehicle Overhang.....2505mm  
Front/Approach Angle.....17°  
Rear/Departure Angle.....20°

#### Size (internal dimension)

LxWxHRemovable Sidings.....**5300x2300x800mm**  
Floor Thickness.....3mm steel plate  
Side Thickness.....1.5mm steel plate

### Electrical System

Batteries / Voltage.....135ah  
Quantity.....2  
Alternator Voltage.....24V  
Operating voltage.....24V

### Crane Specifications

Manufacture Model.....**SQ5SK2Q**(2 sec. telescopic arm)  
Max Lifting Capacity.....**5000kg**  
Max Lifting Moment.....12.5T.M  
Recommend Power.....18kw  
Max Oil Flow of Hydraulic System.....32L/min  
Outrigger.....Two

### Gear Box Systems

Gear Box.....**HW90510C+PTO,Manual Gearbox**  
(With high & low)  
Gear Speed/Lever.....10forward/ 2 reverse  
Gear Ratio.....9.06,6.78,5.1,3.91,3.05,2.32,1.73, 1.3,1,0.78,7.55(R1),3.91(R2)

### Wheels & Tires

Wheel Type.....stud piloted 10 hole steel disc  
Number of Tires.....6+1 (spare tire)  
Tire Type/Size.....**9.00R20**  
Front Track.....1801mm  
Rear Track.....1796mm

### Axles & Suspension & Brake System

Front Axle.....3.6T  
Rear Axle.....8T  
Ratio of Rear Axle.....4.875  
Suspension Type (front).....9pcs leaf spring  
(rear).....12+9pcs leaf spring  
Brake(Service brake).....Air brake,drum brake  
Brake(Parking brake).....All-cut off brake

### Fuel Tank

Capacity.....300L  
Shape/Structure.....Rectangular/Aluminum

### General Performance Parameters

Max Driving Speed.....95km/h  
Ave Fuel Consumption.....≤199g/kW.h  
Max Gradeability.....≈30°  
Cargo Box Til Angle.....-  
Loading Capacity.....10000kg

### Cabin: (2080 single and half row)

All-steel frame with 4-point support fully floating suspension and shock absorbers,Adjustable steering wheel, Heating and ventilating system, Exterior sun visor, Adjustable roof flap and Air horn, Power Window

**WITH A/C**

### Crane Specifications

Max Pressure of Hydraulic.....20Mpa  
Oil Tank Capacity.....90L  
Crane Weight.....**2120kg**  
Installation Space.....900mm  
Rotation Angle.....All Rotation

## SQ5SK2Q

### 起重性能参数表 Rated lifting load

工作幅度(m)	不同臂长最大起升载荷Max lifted load(kg)		
Working Radius	3.80m	6.25m	8.70m
2.50	5000	3000	1800
3.00	3420	2910	1800
3.50	2940	2720	1800
4.00		2470	1760
4.50		2120	1700
5.00		1780	1610
5.50		1650	1520
6.00		1500	1460
6.50			1280
7.00			1240
7.50			1180
8.00			1100
8.50			1050

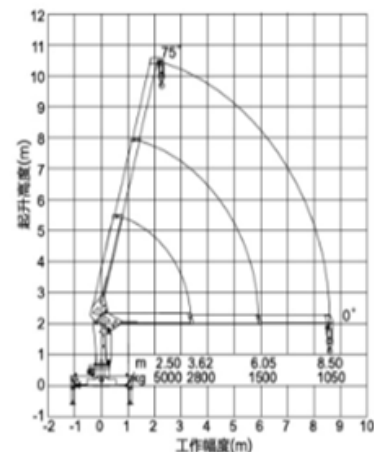
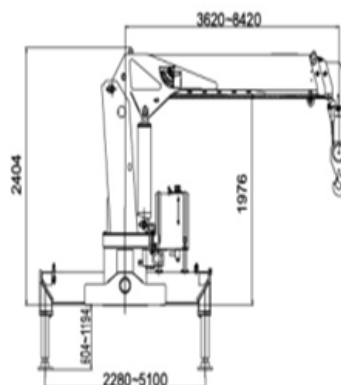


PHOTO FOR REFERENCE ONLY

